

DVI-I Single Display KVM over IP Transmitter with Internet Access / DVI-I Dual Display KVM over IP Transmitter with Internet Access KE6900AiT / KE6940AiT

The KE6900AiT / KE6940AiT is high performance IP-based transmitters that, when used with receivers (e.g. KE6900AR / KE6940AR), provides console access from a separate location. The setup allows extended access of computer systems remotely via USB consoles (USB keyboard, USB mouse, DVI monitor) over intranet and internet, enabling users to place the computer system in secure and temperature controlled environments, which maybe isolated from users' workstation.

The KE6900AiT / KE6940AiT supports the new Control Center Video Session Recorder (CCVSR) software. The CCVSR records all operations made on servers accessed through KVM over IP switches. Every operation and change – boot-ups at BIOS level to system level, logging in and logging out, running software applications to configuring the operating system – are recorded and saved to a secure video file for security reference and troubleshooting purposes, etc..

The KE6900AiT DVI-I Single Display KVM over IP Extender supports one DVI display while the KE6940AiT DVI-I Dual Display KVM over IP Extender supports two — both models provide lossless and low latency video transmissions up to 1920 x 1200 @ 60 Hz.

The transmitters support connections via an RJ-45 port or a SFP slot. The transmitter can be connected to a receiver either directly to each other, or via a high-speed network over a copper-based or fiber-based LAN. Connecting via the SFP slot with 1Gbps SFP fiber module* expansions on fiber optic network, users can extend transmission distances up to 10 km. The KE6900AiT / KE6940AiT also features dual power supplies for redundancy to ensure dependable services.

As an IP-based matrix extender, the KE6900AiT / KE6940AiT can be used as a point-to-point / point-to-multipoint / multipoint-to-point extender, or integrated into a KVM over IP Matrix System (multipoint-to-multipoint) when combined with the CCKM, providing more flexible applications in different working environments.

Implementing the CCKM with KE6900AiT / KE6940AiT, IT administrators can benefit from advanced features such as auto detection of all KE6900AiT / KE6940AiT devices on the same subnet for the sake of fast installation or configuration, username/password authentication and authorization, and the ability to define different types of connections that can be switched and shared. Security features also provide extra protection, supporting AES 128-bit encryption for secured data transmissions, while RADIUS, LDAP, AD or remote user authentication provides an added layer of connection security. Moreover, with RS-232 support, and Auto MDIX, the KE6900AiT / KE6940AiT is the most cost-effective and convenient way to get a full digital extension from anywhere on the intranet.

Note: The SFP module (2A-136G / 2A-137G) is sold separately. Contact your ATEN dealer for product information.

KE6900AiT Front View



KE6940AiT Front View



KE6900AiT Rear View



KE6940AiT Rear View



Features

Advanced Features¹

- ATEN Matrix Link – allow users instant link transmitters and receivers, and perform real-time port and profile switching on an iPad
- Supports recording of remotely-accessed computer operations using CCVSR
- Boundless Switching – simply moves the mouse cursor across screen boundaries to switch between different receivers (Rx)
- Fast Switching – switches between different remote video resolutions on a local display within 0.3 seconds
- “Push” and “Pull” – shares content instantly to / from a single Rx or video wall by just one click
- Video walls – creates multiple video walls with up to 12 x 12 (144 displays max.) in each layout
- Flexible connections – allows multiple extender and matrix connections for multi-display installations and video wall applications
- On-screen Preview (Panel Array™ Mode) – allow users to view the video of up to 36 displays on one screen
- Advanced scheduling – improves efficiency and saves costs by allowing connections to be set based on time and date
- Channel connections allow RX devices to connect to multiple TX devices – to stream video, audio, USB and serial sources independently
- Virtual transmitter – independently streams video, audio, USB, and serial sources from different Tx
- Internal and external authentication support – supports LDAP, Active Directory, RADIUS and TACACS+ external authentications
- Advanced user authorization settings – administrators can set four access modes of permissions on TX devices for collaboration or to avoid interference among users
- Video grouping of up to 4 sets of KE series devices to support Multi-Display applications
- Configurable user and group permissions for access and control of KVM over IP extenders
- Rx access control – users at the Tx local console can enable / disable Rx access by simply pressing a control button²

Note

1. These advanced functions are supported when the KE transmitters are paired with KE receivers and managed by CCKM.

2. The KVM over IP Access Control Box (2XRT-0015G) is sold separately. Contact your ATEN dealer for product information.

Hardware

- Supports power / network failover – dual DC jacks for power redundancy and 1 RJ-45 & 1 SFP fiber ports for network failover to ensure constant availability for mission-critical applications
- Supports 1Gbps SFP fiber module expansions up to 10 km¹
- Advance processor provides lossless and low latency video transmissions up to 1920 x 1200 @ 60 Hz
- Supports digital (DVI) or analog (VGA) video output²
- Audio enabled – supports stereo speakers and microphone
- High speed USB storage transmission support
- Auto-MDIX – automatically detects cable type
- Built-in 8KV / 15KV ESD protection and 2KV surge protection
- Fanless design for silent operations that are energy efficient
- Rack Mountable – Mounting options:
 - 2X-021G Dual Rack Mount Kit
 - 2X-031G Single Rack Mount Kit
- Includes an industrial-grade power adapter – supports operating temperature of 0-50°C to ensure durability and adaptability under harsh environmental conditions

Note

1. The SFP module (2A-136G / 2A-137G) is sold separately. Contact your ATEN dealer for product information.

2. To convert a DVI to VGA signal, a DVI-I to VGA converter is required.

Management

- Integration with ATEN CCVSR Video Session Recording Software
- Centralized management software – KVM over IP Matrix Manager (CCKM) allow users to easily administrator all KE devices with an intuitive web-based GUI
- Dual console operation – controls the user's system from both the transmitter's and receiver's keyboard, monitor, and mouse consoles
- OSD (On Screen Display) on the Receiver configures both units
- EDID Expert™ – selects optimum EDID settings for smooth power-up and highest quality display
- Four selectable access modes for multiple simultaneous access (Exclusive/Occupy/Share/ View only mode) – administrators can select access modes of permissions on Tx devices to boost collaboration or to avoid interference among users
- Command Line Interface – administrators can control all KVM over IP extenders via RS-232 or TCP/IP using a CLI or 3rd party application
- RS-232 serial ports – allow users to connect to a serial terminal for TextMenu, CLI, or serial devices such as touch screens and barcode scanners
- Supports Hotkey Commands
- Flashing LED and beeping features help locate and identify devices
- Video compression level – allow users to increase / decrease the video quality to adjust for appropriate network bandwidth
- Compatible with all KE devices

Security

- Dedicated LAN port for KE direct connections – can be isolated from the corporate network
- Secure data transmission – AES 128-bit encryption to secure all data before transmitted over a network and decrypts the data on the receiver
- Supports industry standard Transport Layer Security (TLS) protocol

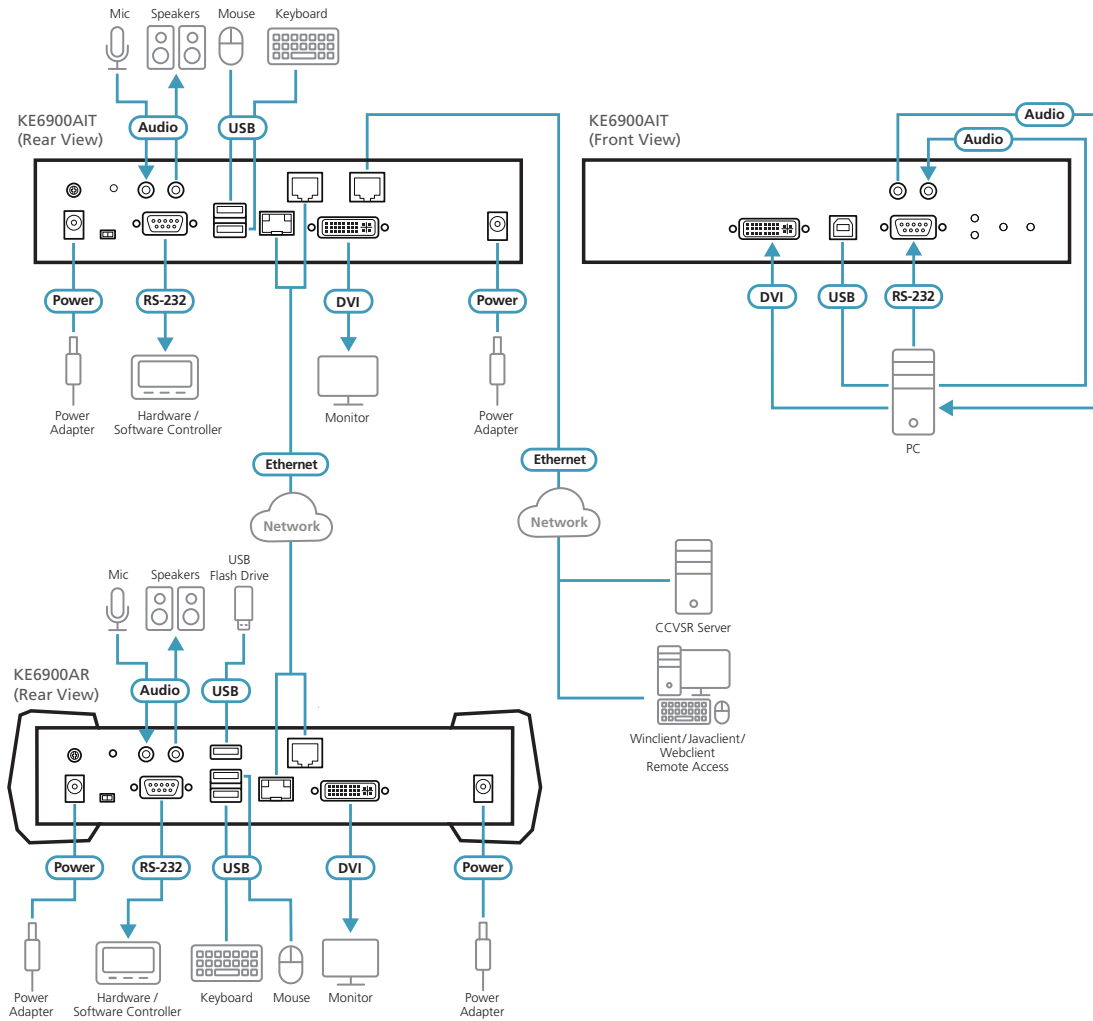
Virtual Media

- USB storage transmission mode enhances data transmission performance, ideally for file transfers, OS patching, software installations and diagnostic testing
- Supports USB 2.0 DVD / CD drives, USB mass storage devices, PC hard drives and ISO images
- Supports smart card / CAC reader

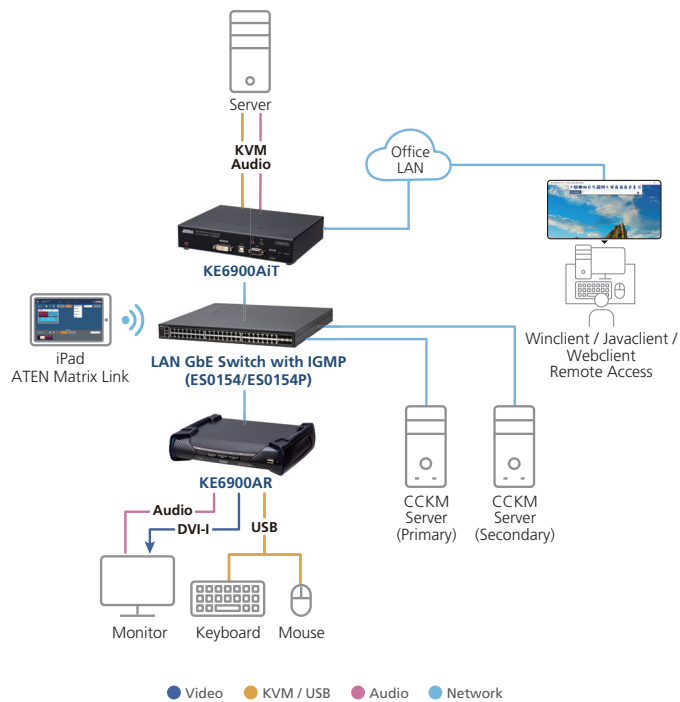
Highlights

<p>Over IP</p>	<p>The KE6900AiT / KE6940AiT extends a computer’s KVM console any distance over a LAN by connecting the Tx and Rx units to the user’s network. The extender also extends a computer’s KVM console up to 100 m by directly connecting the Tx and Rx units with a single Cat 5e / 6 cable. Standard IP protocols ensure maximum compatibility with the user’s existing IT infrastructure and staff skill set.</p>
<p>Unprecedented Video Quality</p>	<p>ATEN’s advanced graphics processor delivers video that ensures users to experience the same vivid and sharp image quality on the remote monitor no matter how far away the console is located.</p>
<p>Redundancy</p>	<p>The KE6900AiT / KE6940AiT supports connection via Gigabit Ethernet port (RJ-45), Internet port and SFP port for failover or for dual IP addresses access. Moreover, the KE6900AiT / KE6940AiT supports dual power for redundant power supply.</p>
<p>SFP Module</p>	<p>The KE6900AiT / KE6940AiT supports 1Gbps SFP fiber module expansions, enabling connections with network switch allowing either an optical Fiber Channel SFP module or Active Copper SFP module. The single-mode SFP module provides 1GbE connectivity up to 10 km while the multi-mode SFP module provides 1GbE connectivity up to 550 m. Note: The SFP module (2A-136G / 2A-137G) is sold separately. Contact your ATEN dealer for product information.</p>
<p>Advanced Management System</p>	<p>The KVM over IP Matrix Manager (CCKM) allow users to easily administer all KVM over IP extenders over a network, using an intuitive user-friendly web based GUI.</p>
<p>Boundless Switching</p>	<p>The extender simply moves the mouse cursor across screen boundaries to switch between different receivers. The function expedites the process of switching between receivers for a smooth and hassle-free user experience and enables immediate monitoring and management of receivers. Note: These advanced functions are supported when the KE transmitters are paired with KE receivers and managed by CCKM.</p>
<p>Flexibility</p>	<p>The KVM over IP extender allow users to access, share, and switch full control of Tx connected computers - from any Rx (KVM console) on the network. The extender also allows One-to-One, One-to-Many, Many-to-One, or Many-to-Many computer to KVM console connections.</p>
<p>Enhanced Security Features</p>	<p>The KE6900AiT / KE6940AiT compliant with universal enterprise grade security standards (AES encryption to secure Video / Keyboard / Mouse / Data transmission and Transport Layer Security (TLS) protocol), and provides different levels of username / password authentication and authorization.</p>

Diagram



Scenario Diagram



Specifications

	KE6900AiT	KE6940AiT
Connectors		
Console Ports	2 x USB Type-A Female (White) 1 x DVI-I Female (White) 1 x Mini Stereo Jack (Green) 1 x Mini Stereo Jack (Pink) 1 x DB-9 Male (Black)	2 x USB Type-A Female (White) 2 x DVI-I Female (White) 1 x Mini Stereo Jack (Green) 1 x Mini Stereo Jack (Pink) 1 x DB-9 Male (Black)
KVM Ports	1 x USB Type-B Female (White) 1 x DVI-I Female (White) 1 x Mini Stereo Jack (Green) 1 x Mini Stereo Jack (Pink) 1 x DB-9 Female (Black)	1 x USB Type-B Female (White) 2 x DVI-I Female (White) 1 x Mini Stereo Jack (Green) 1 x Mini Stereo Jack (Pink) 1 x DB-9 Female (Black)
Power	2 x DC Jack (Black)	
LAN Ports	1 x RJ-45 (Black) 1 x SFP Slot	
Internet Ports	1 x RJ-45 (Black)	
USB Port	N/A	
Switches		
OSD	N/A	
Video	N/A	
Graphics	N/A	
Reset	1 x Semi-recessed Pushbutton	
Mode Selection	1 x Slide Switch (Auto, RS-232 Config / Access Control, Local)	
LEDs		
10/100/1000 Mbps	1 (10: Orange / 100: Orange & Green / 1000: Green)	
Power	1 (Blue)	
Local	1 (Green)	
Remote	1 (Green)	
Emulation		
Keyboard / Mouse	USB	
Power Consumption	DC 12 V: 12 W	DC 12 V: 18.36 W
Video Resolution	Up to 1920 x 1200 @ 60 Hz	
Environmental		
Operating Temperature	0 – 50 °C	
Storage Temperature	-20 – 60 °C	
Humidity	0 – 95% RH, Non-condensing	
Physical Properties		
Housing	Metal	
Weight	1.16 kg	1.18 kg
Dimensions (L x W x H)	21.50 x 16.33 x 4.18 cm	

ATEN International Co., Ltd.

3F., No.125, Sec. 2, Datung Rd., Sijhih District., New Taipei City 221, Taiwan
 Phone: 886-2-8692-6789 Fax: 886-2-8692-6767
 www.aten.com E-mail: marketing@aten.com

Product information is subject to change without prior notice.

Released: 04/2024 V5.0

© Copyright 2024 ATEN® International Co. Ltd.
 ATEN and the ATEN logo are registered trademarks of ATEN International Co., Ltd.
 All rights reserved. All other trademarks are the property of their respective owners.

